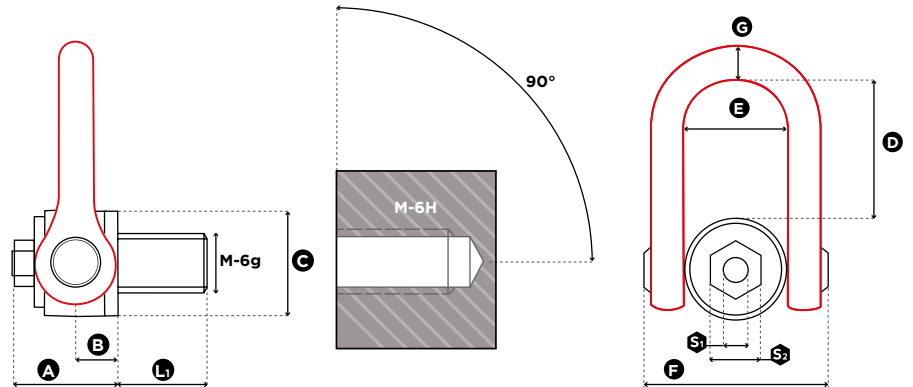


# GIGA.DSS GIGA.DSS+Q

METRIC THREADS

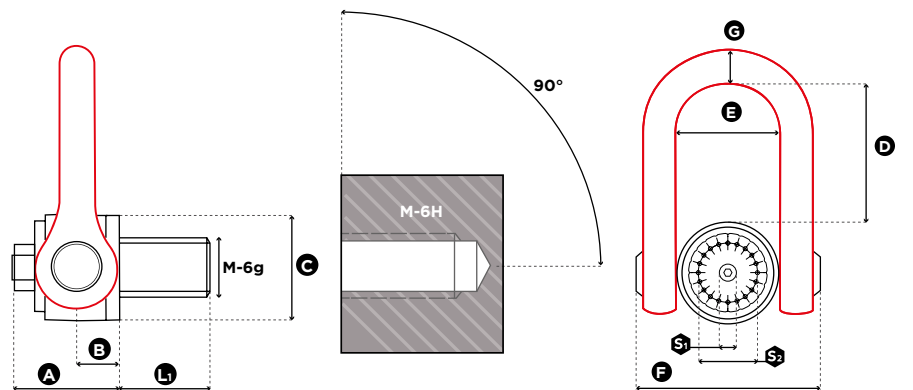
## GIGA DOUBLE SWIVEL SHACKLE

# GradUp



1 in = 25.4 mm

| Reference         | Diameter   | SF 5:1 WLL (t) | Standard L <sub>1</sub> (mm) | Torque (Nm) | S <sub>1</sub> (mm) | S <sub>2</sub> (mm) | A (mm) | B (mm) | C (mm) | D (mm) | E (mm) | F (mm) | G (mm) | Weight (kg) |
|-------------------|------------|----------------|------------------------------|-------------|---------------------|---------------------|--------|--------|--------|--------|--------|--------|--------|-------------|
| GIGA.DSS M 150 UP | M 150 (x6) | 125,00         | 228                          | 2000        | 41                  | 105                 | 271    | 115    | 290    | 353    | 302    | 544    | 103    | 268         |



1 in = 25.4 mm

| Reference           | Diameter   | SF 5:1 WLL (t) | Standard L <sub>1</sub> (mm) | Torque (Nm) | S <sub>1</sub> (mm) | S <sub>2</sub> (mm)  | A (mm) | B (mm) | C (mm) | D (mm) | E (mm) | F (mm) | G (mm) | Weight (kg) |
|---------------------|------------|----------------|------------------------------|-------------|---------------------|----------------------|--------|--------|--------|--------|--------|--------|--------|-------------|
| GIGA.DSS+Q M 150 UP | M 150 (x6) | 125,00         | 230                          | 160         | 21                  | XZN N12<br>DIN 34824 | 267    | 115    | 290    | 353    | 302    | 544    | 103    | 268         |

10.2021