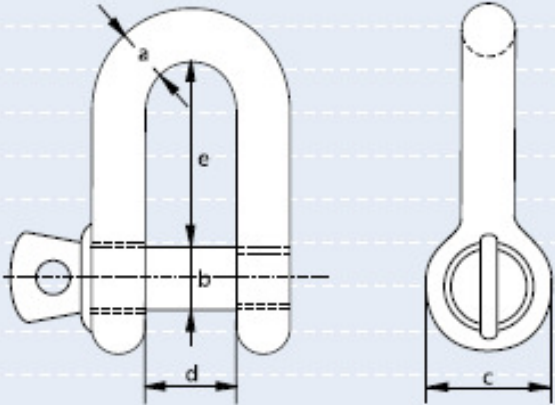




## Commercial Dee Shackles with screw collar pin

- **Material** : mild steel, untreated, Grade 3
- **Finish** : electro-galvanised
- **Note** : not to be used for lifting applications



diameter bow	diameter pin	diameter eye	width inside	length inside	weight per 100 pcs
a mm	b mm	c mm	d mm	e mm	kg
5	5	10	10	19	1.47
6	6	12	12	25	2.56
8	8	16	16	32	6.06
10	10	20	20	38	11.80
11	11	22	22	44	15.80
12	12	24	24	51	20.50
14	14	28	28	53	32.50
16	16	32	32	64	48.50
20	20	40	40	76	94.70
22	22	44	44	89	126.00
25	25	50	50	100	185.00
28	28	56	56	115	260.00
32	32	64	64	127	388.00
38	38	76	76	152	650.00